

CRANE CONTROL EQUIPMENTS

SINCE 1988

A vital support of your Cranes



Established Since 1988

Complete In-house Testing Facilities

Approved with various Govt. agencies

Computer Aided Design.

Compatible with all other makes.

AN ISO 9001-2008 Certified Company Since 2009.



LEVER LIMIT SWITCHES

INTRODUCTION:

Lever type Limit Switch operates the control change-over Contacts of motor of an moving equipment when a Cam moving with load actuates the Lever of limit switch. This turns the cams on a square shaft and operates the **NO / NC** contact elements. These Limit Switch are used for controlling over travel of linear motion

OPERATION :

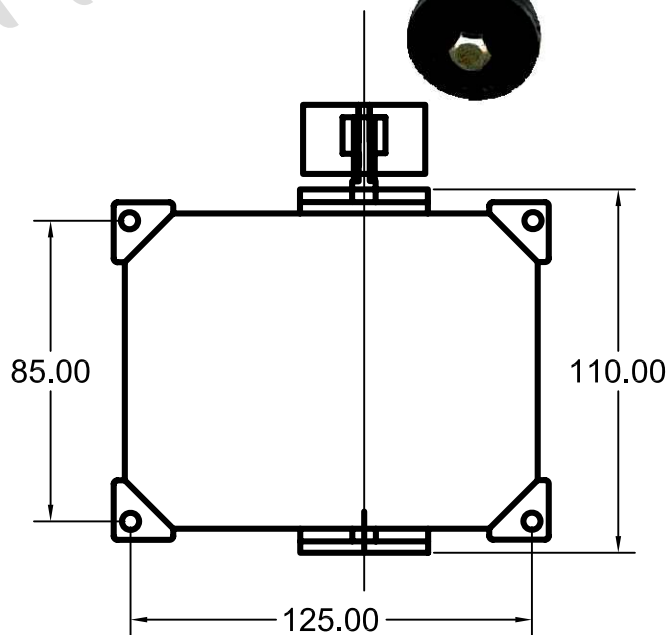
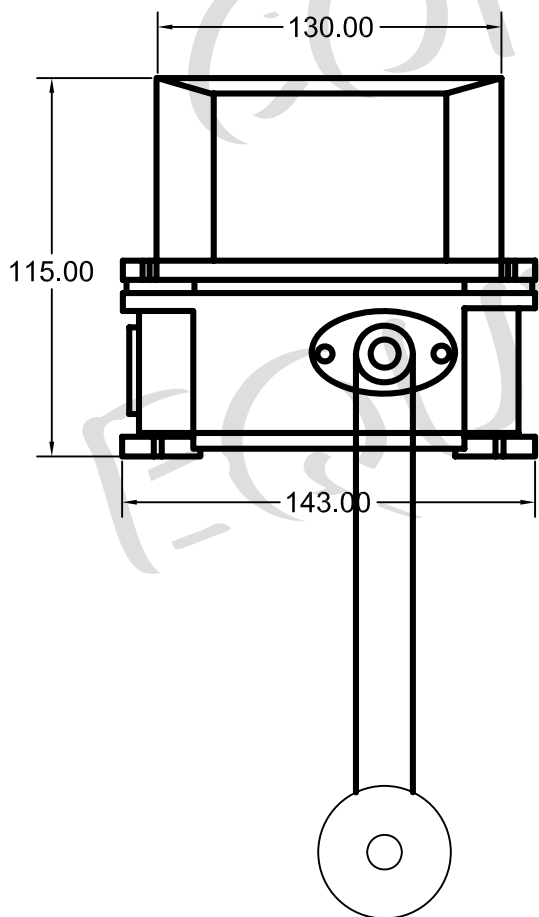
Two or more Contact Elements are operated by respective rotating Cams, which are suitably fixed on a square Cam Shaft turned by a lever

DESIGN : ALUMINIUM CAST BODY

The Aluminium Cast body, Lever and Cover of the Limit Switch are finished by powder coating treatment. The Cam Shaft is mounted in the housing on moulded Nylon bushes (bearing) and are fixed through the front & rear walls.

TECHNICAL DATA :

Body Material	Powder Coated Aluminium Cast
Degree of Protection	IP- 41
Mounting Position	Floor Mounting
Cable Entries	Twin. 3/4" BS Conduit
No. of Contact	2 / 3 / 4
Wire Connection	Silver-Cadmimum
Rated Voltage	500 V ac
Thermal Test Current	10 A



LEVER LIMIT SWITCHES

INTRODUCTION:

Lever type Limit Switch operates the control change-over Contacts of motor of an moving equipment when a Cam moving with load actuates the Lever of limit switch. This turns the cams on a square shaft and operates the **NO / NC** contact elements. These Limit Switch are used for controlling over travel of linear motion

OPERATION :

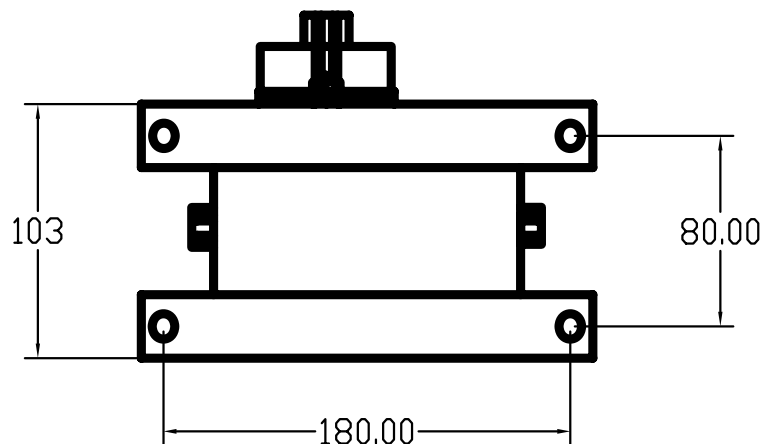
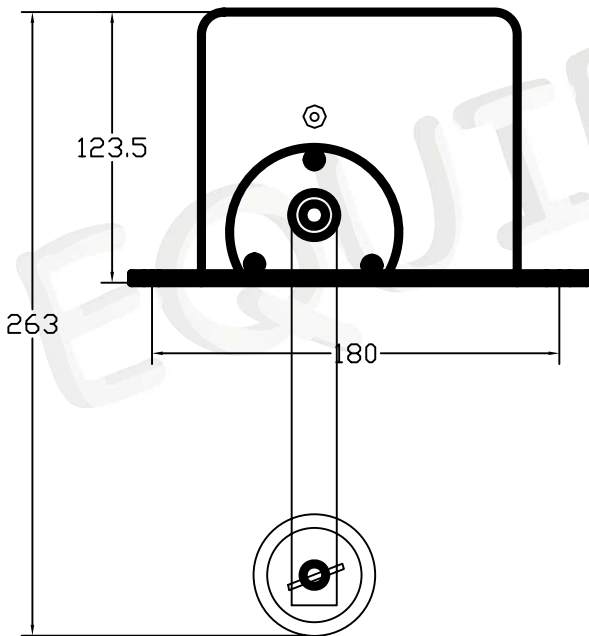
Two or more Contact Elements are operated by respective rotating Cams, which are suitably fixed on a square Cam Shaft turned by a lever.

DESIGN : SHEET STEEL BODY

The Sheet Steel body, Lever and Cover of the Limit Switch are finished by powder coating treatment. The Cam Shaft is mounted in the housing on moulded Nylon bushes (bearing) and are fixed through the front & rear walls.

TECHNICAL DATA :

Body Material	Powder Coated Sheet
Degree of Protection	IP- 41
Mounting Position	Floor Mounting
Cable Entries	Twin. 3/4' BS Conduit
No. of Contact	2 / 3 / 4
Wire Connection	Silver-Cadmimum
Rated Voltage	500 V ac
Thermal Test Current	10 A



An Introduction about us at Crane Control Equipments.

We are a leading **ISO 9001- 2008 CERTIFIED COMPANY** established in the year **1988** manufacturing **Control Gear Equipment**, used in **EOT Cranes** , **Cane Unloaders** as well as **Grabbing Cranes** etc. which include the following.

STARTING RESISTORS

- **AUTO Matic ROTOR STARTER PANEL**

DYNAMIC BRAKING RESISTORS

- **PUNCHED GRID RESISTANCE BOXES**

MASTER CONTROLLER

- **S.S.WIRE GRID RESISTANCE BOXES**

LEVER LIMIT SWITCH

- **ELECTRO HYDRAULIC THRUSTOR BRAKES**

ROTARY LIMIT SWITCH

- **ELECTRO HYDRAULIC THRUSTORS**

CURRENT COLLECTORS

- **ELECTRO MAGNETIC BRAKES**

CABLE REELING DRUMS

- **FLEXIBLE GEARED COUPLINGS**

CABLE TROLLEYS

- **ABB make V V V F DRIVES**

We are also manufacturing Starting / Slip Resistors used for starting high capacity Slip ring Motors in industries such as Sugar Mills, Rolling Mills etc. as well as Dynamic Braking Resistors for AC Drives.

Our **USP** has been to provide excellent service to both **Crane manufacturers** as well as users and most of the Crane manufacturers are installing our products as **original equipment**.

Our products are approved in both private as well as Government organisations.

We are in fact also a regular supplier to various Electricity Boards ,Railway Workshops and other government organisations all over India and our material is also being exported out side India.

Our products are designed, based on the respective Indian Standards and hence can be interchanged with other brands provided of course if the other manufacturer has also followed the correct Indian Standards while designing and manufacturing his product. Also in our company we have an on going process of **R&D** for improving the Quality of our products.

Since we are regularly manufacturing the products at times we can even supply material at short notice there by reducing the down time of the **customer's system during maintenance or brake down.**

Supplying equipment at short notice does not mean that the equipment does not under go proper tests.

An in house testing facility and quality control department checks every product as per the relevant standards before it is despatched from our works.

In addition to the complete range of Control Gear Equipment and in keeping with our commitment to provide our customers with the best possible services, we also supply **SHROUDED BUS BAR CONDUCTORS** as well as **RADIO REMOTE CONTROLS**, so that at our factory where we have a single out let, we can provide our customer be it a Crane manufacturer or a Crane user this unique service:

“The availability of complete range of Control Gear Products under one Roof”

CRANE CONTROL EQUIPMENTS



ROTARY GEARED LIMIT



LEVER LIMIT SWITCH



COUNTER WT. LIMIT SWITCHES



CROSS BAR LIMIT SWITCHES



WORM DRIVE LIMIT SWITCH



DIFFERENTIAL LIMIT SWITCHES



MASTER / CAM CONTROLLER



DUAL MASTER CONTROLLER



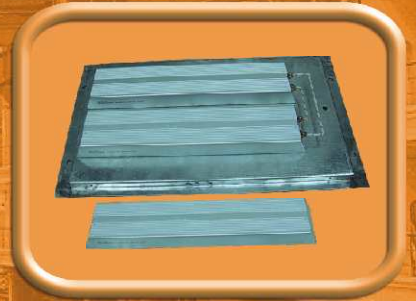
PENDANT PUSH BUTTON



RESISTANCE BOXES



DYNAMIC PUNCHED GRID TYPE



DBR MOULDED TYPE



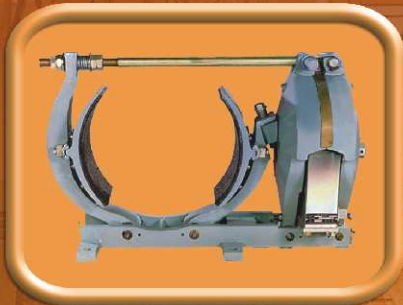
ELECTRO HYDRAULIC THRUSTER BRAKES



ELECTRO-HYDRAULIC THRUSTERS



A.C. ELECTROMAGNETIC BRAKES



D.C. ELECTRO - MAGNETIC BRAKES



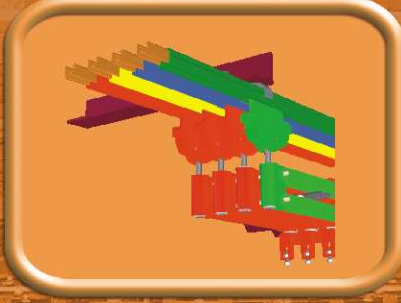
BRAKE DRUM COUPLING



FLEXIBLE GEARED COUPLING



RADIO REMOTE CONTROL



SHROUDED DSL



CURRENT COLLECTORS



DISC BRAKE



SNATCH BLOCK



RAIL CLAMPS



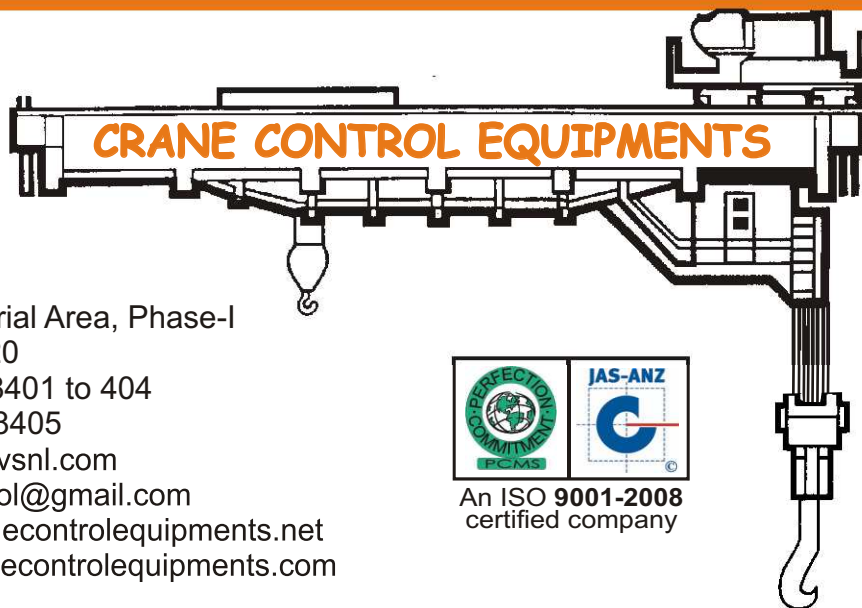
FLEXIBLE TRAILING CABLE



CABLE TROLLEYS



CABLE REELING DRUM



Works :

F-66, Okhla Industrial Area, Phase-I
New Delhi - 110 020

Ph. : +91-11-26818401 to 404

Fax : +91-11-26818405

E-Mail : ccedelhi@vsnl.com

cranecontrol@gmail.com

website : www.cranecontrolequipments.net

www.cranecontrolequipments.com



An ISO 9001-2008
certified company